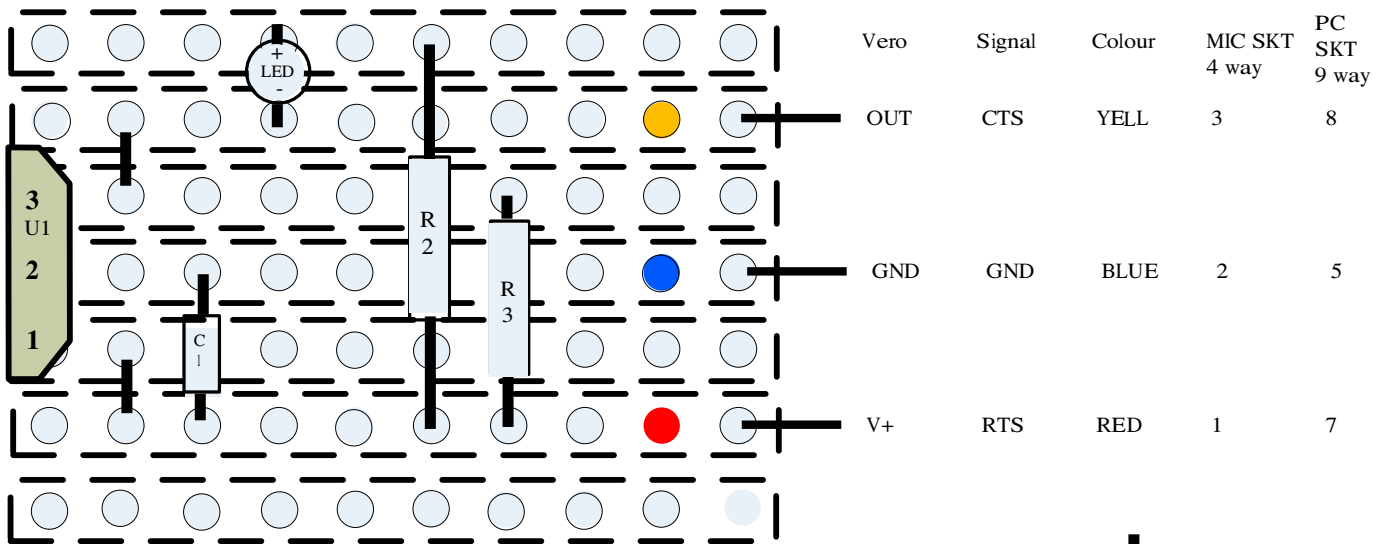
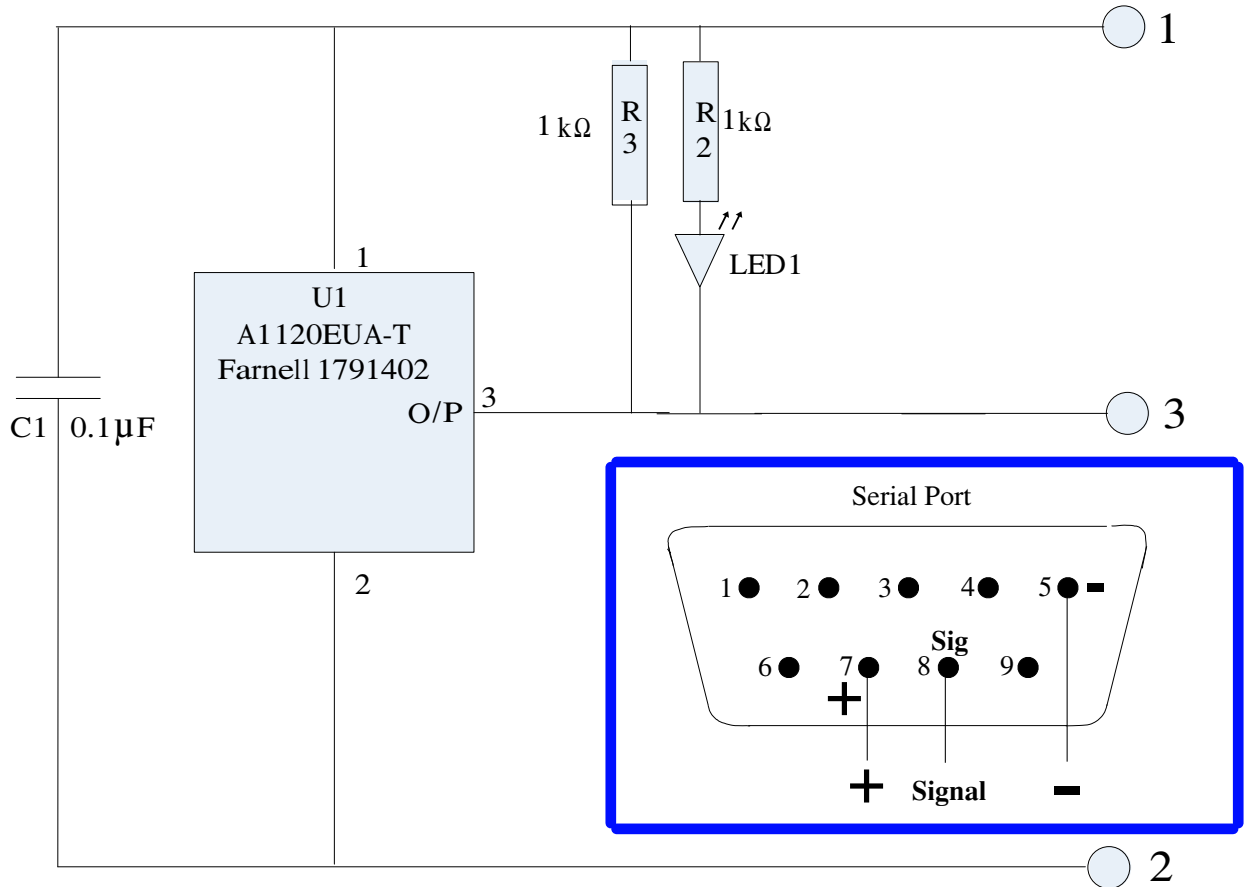
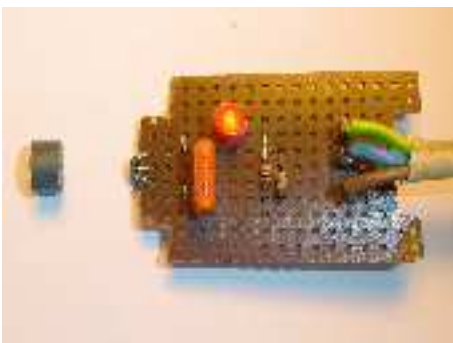


Hall Effect Maghead



Magnet



Signal (yellow) Connect to pin 8 on Serial Socket

Minus (blue) Connex to pin 5 on Serial socket

Plus (red) Connect to pin 7 on Serial socket